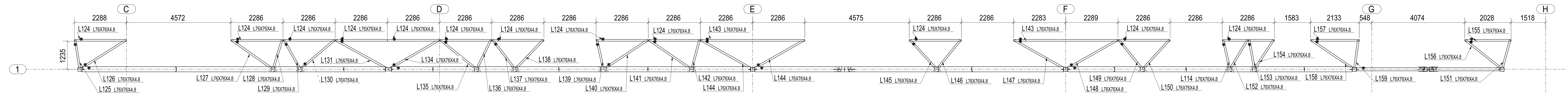
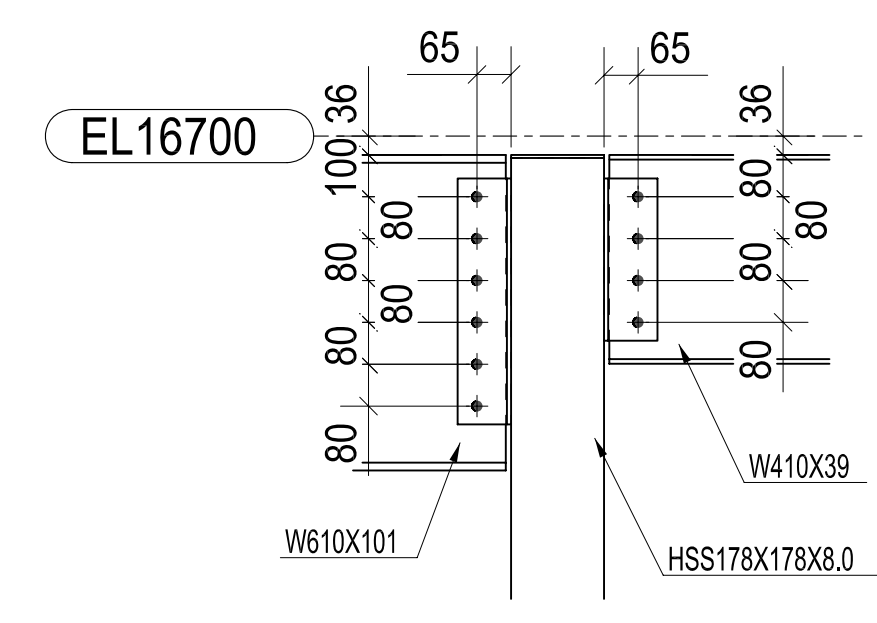
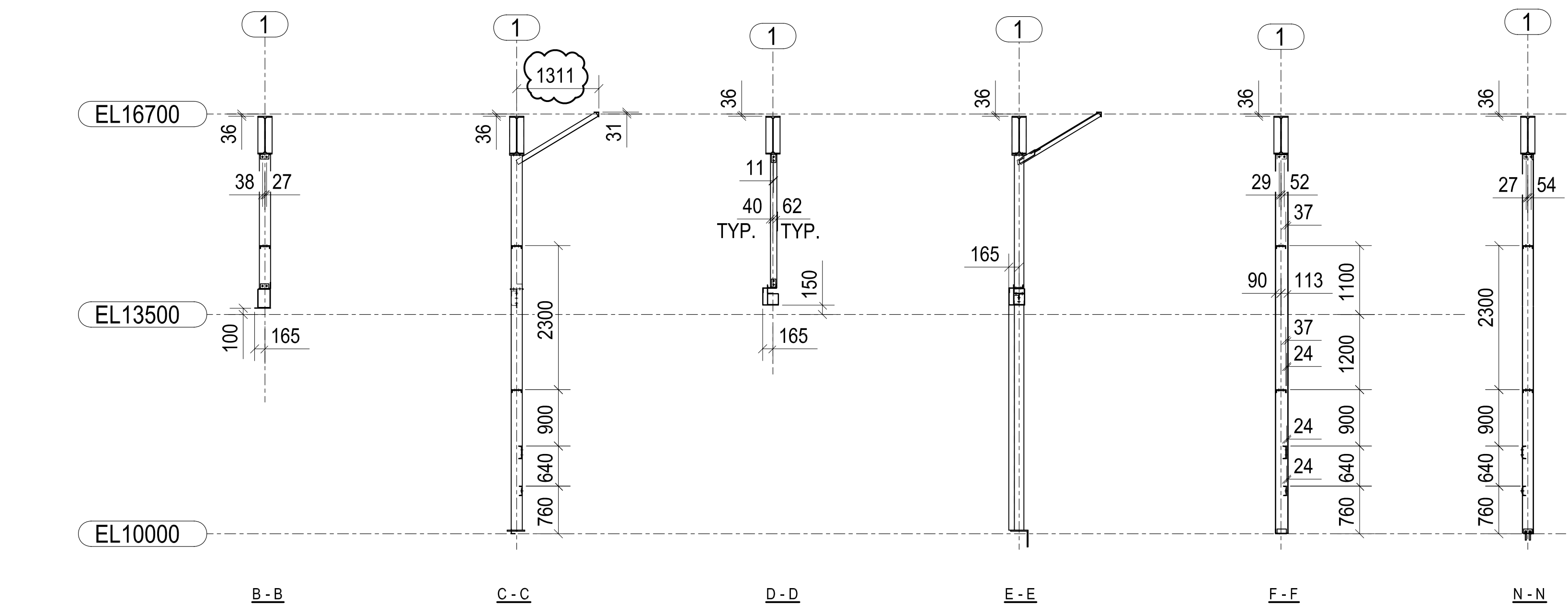


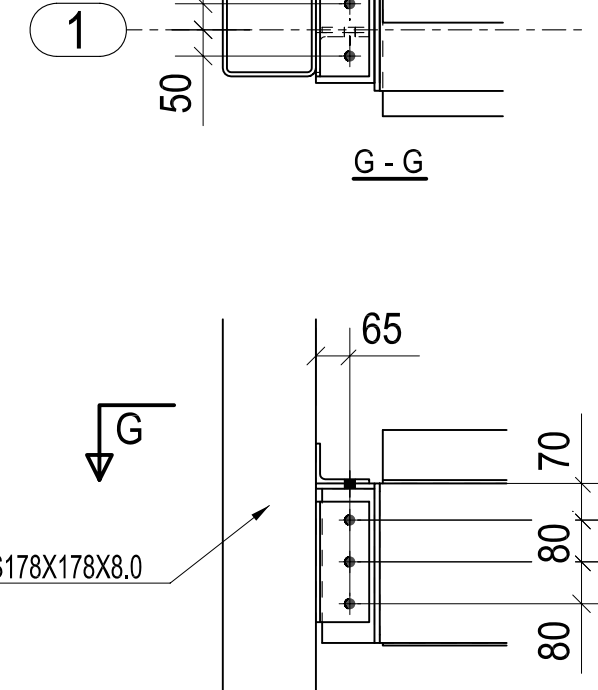
GRID 1



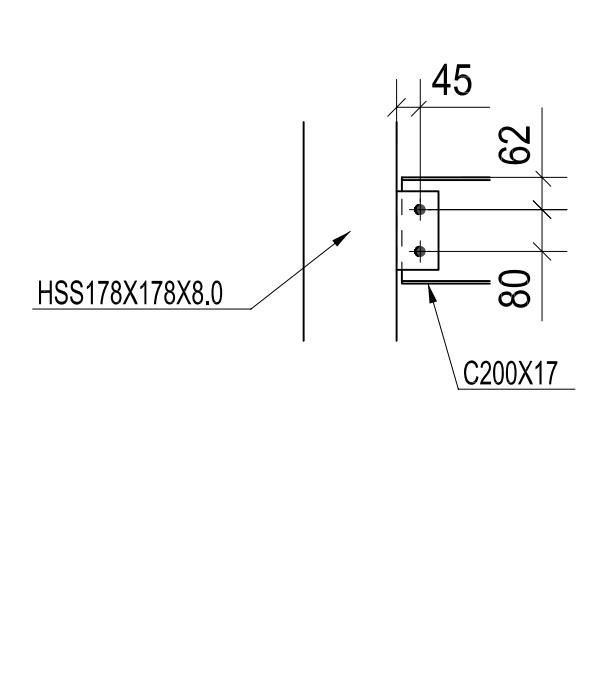
A-A



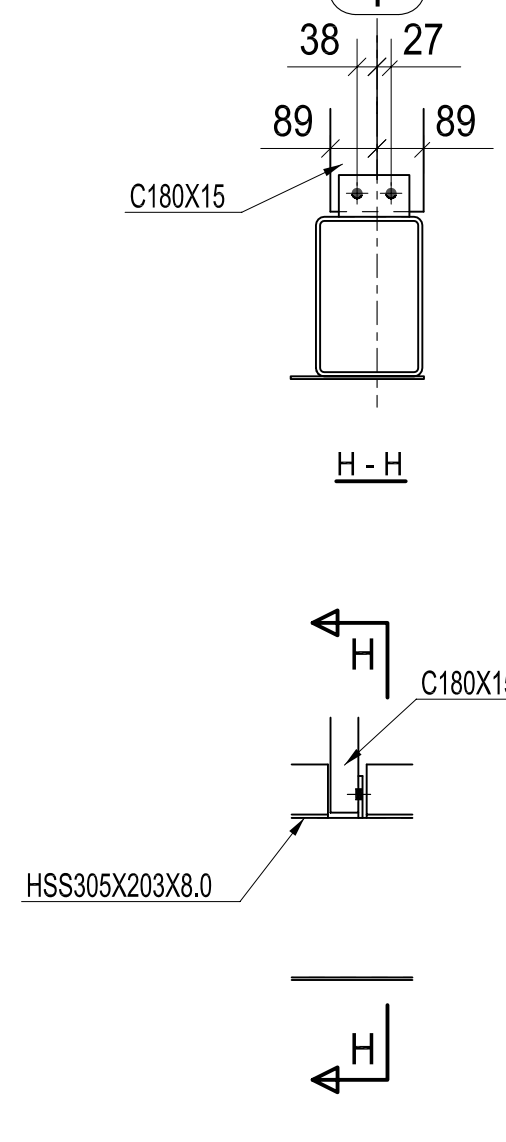
DET.1 TYPICAL



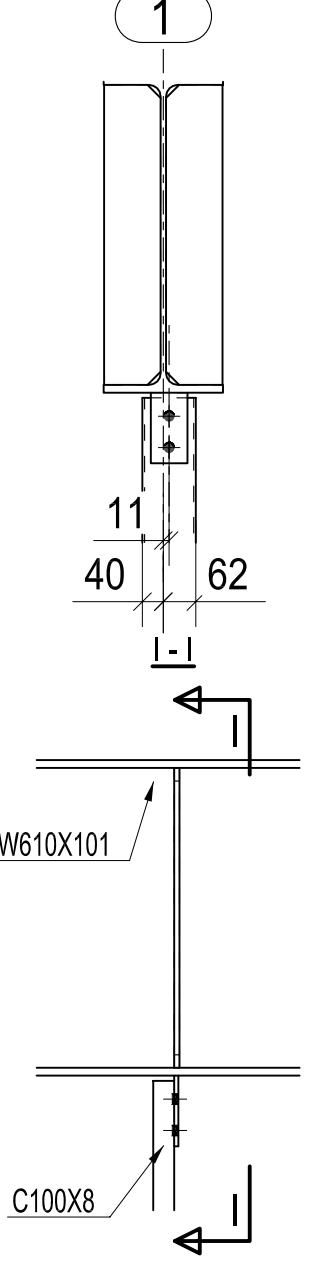
DET.2 TYPICAL



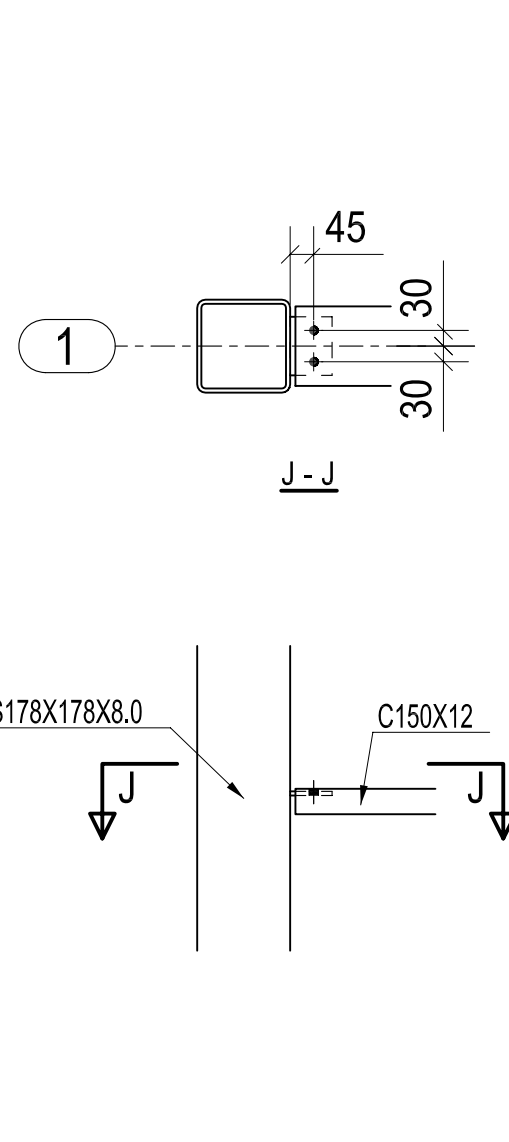
DET.3 TYPICAL



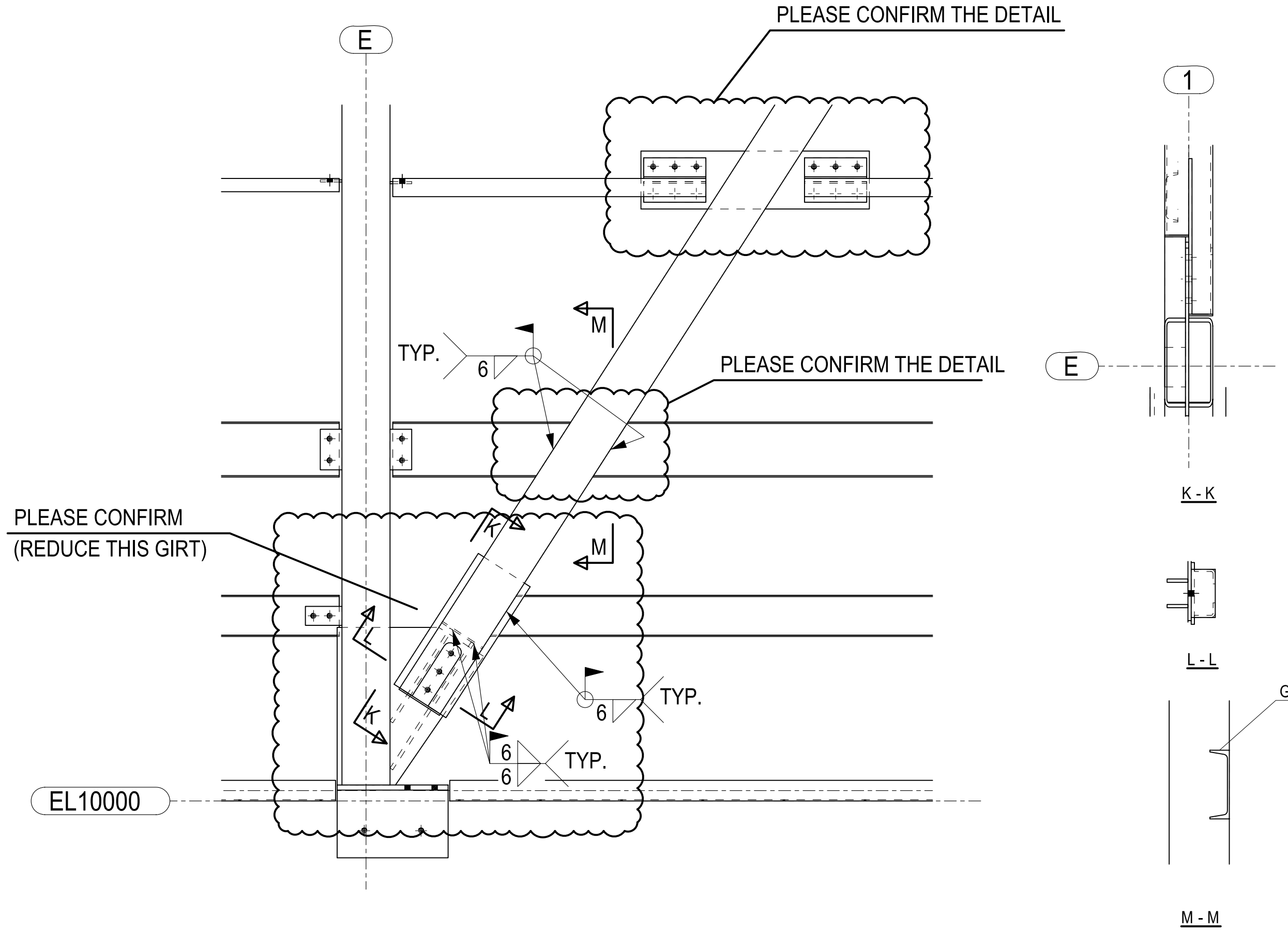
DET.4 TYPICAL



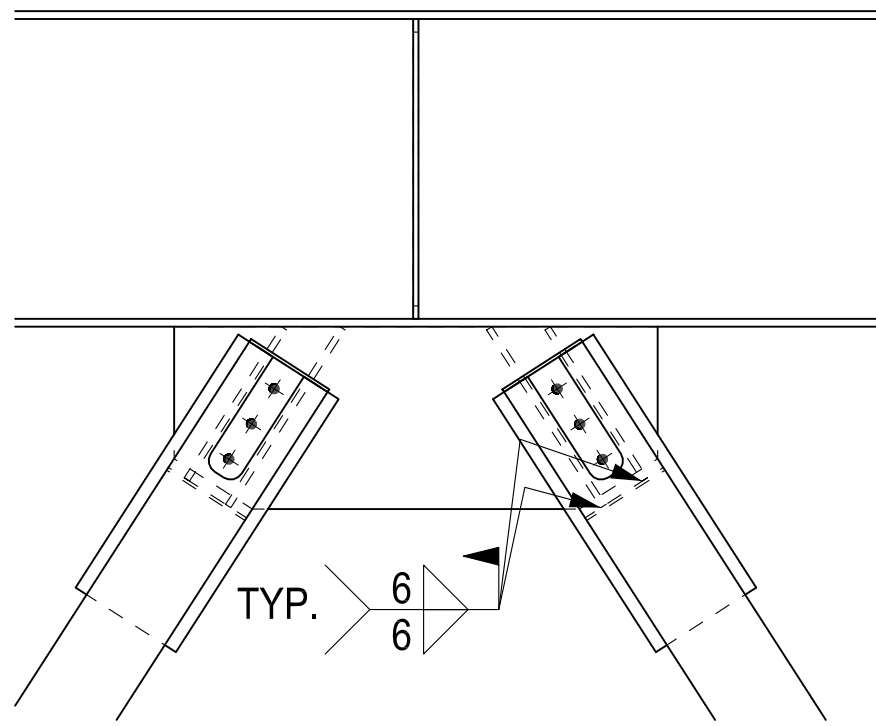
DET.5 TYPICAL



DET.6 TYPICAL



DET.7 TYPICAL



DET.8 TYPICAL

PLEASE VERIFY ALL CLOUDED AREAS AND DIMENSIONS
CLOSED AREAS NOT ANSWER SHALL BE CONSIDERED CORRECT AS NOTED OR SHOWN

OCT13/2010		REBUILT FOR APPROVAL	
NOTE:			
BELAIR FABRICATION LTD. 1687 COLUMBIA STREET, NORTH VANCOUVER, B.C. V7J 1A5 TEL: (604) 924-0846 FAX: (604) 924-0846		PACIFIC Detailing Inc. TEL: (604) 924-0049 FAX: (604) 924-0846	
JOB NAME & LOCATION: Confederation Mall 296		ARCH: QUINN YOUNG ARCHITECTS LTD. 110, 6227 2nd Street S.E., Calgary, Alberta ENGR: Y.A.V. ENGINEERING LTD. 33 Farrer Street, Markham Ontario, L3R 3K6 CONTR: CCM Construction Ltd. 8711-4th Street Sidney, B.C. V8L 2Y8	
REF: RETAIL STORE & SERVICE CENTRE No. 296		JOB NO. 1002	
DRAWN BY: DMF SEP20/2010		CHECKED BY: JDF SEP20/2010	
SHEET TITLE: GRID 1		DWG. NO. E102	
MODIFIED DATE: OCT13/2010		LAST PLOT DATE: OCT13/2010	
CAD FILE NAME: 1002			