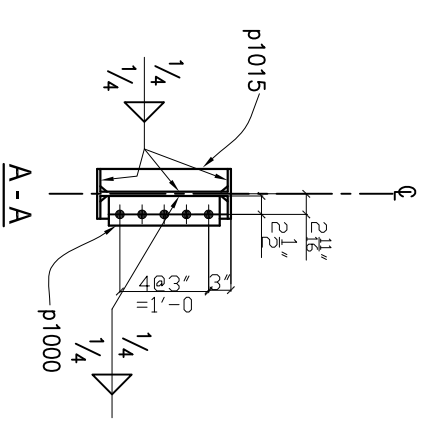
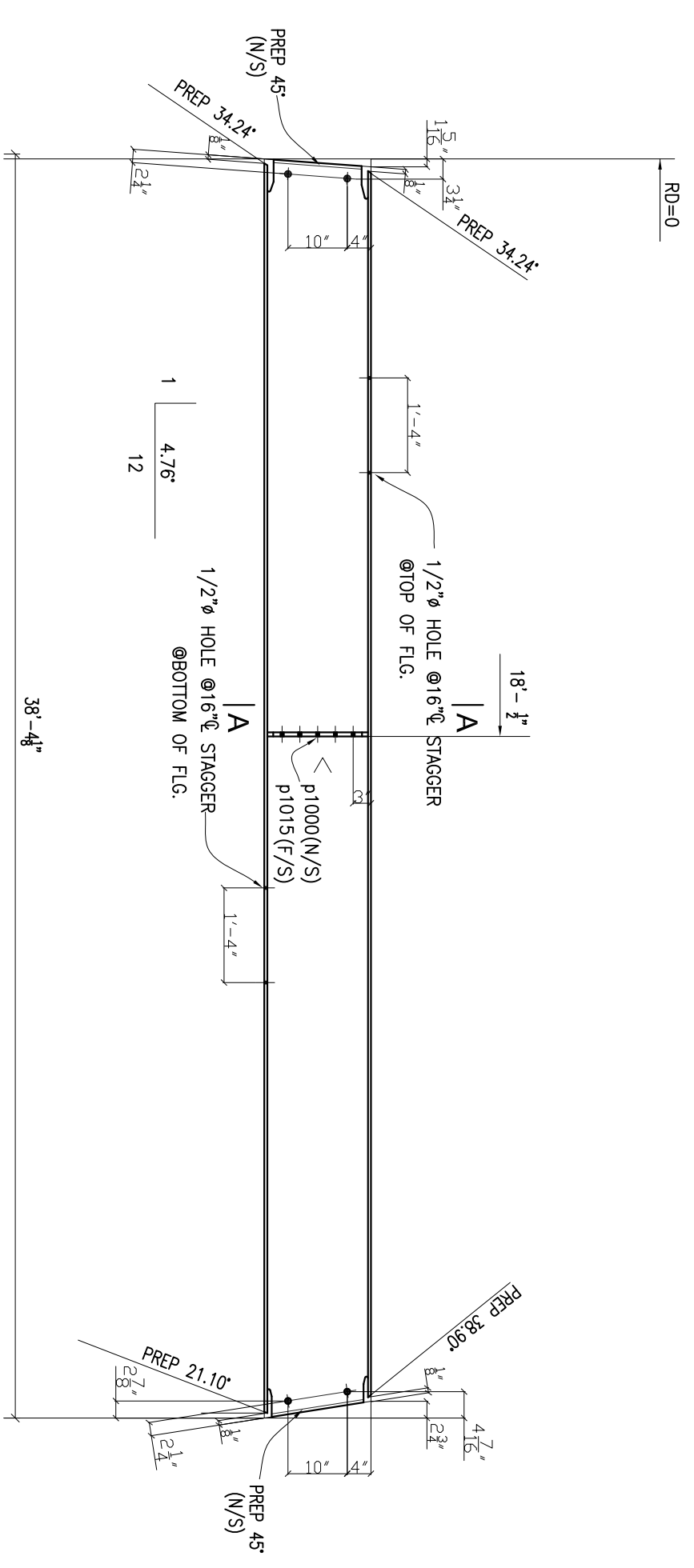


LOCATION			
Mark	Quant.	T.O.S.	Grid ref.
			Area

BILL OF MATERIAL						
ASBY MARK	SHIPPING MARK	ASBY MARK	No. RECD	DESCRIPTION	LENGTH	GRADE
	B100		1	W18X35	38'-1 1/8"	350W
		B100	1	PL 3/8 X 4"	1'-3"	
		p1015	1	PL 3/8 X 2 3/4"	1'-4 3/4"	
TOTAL =						

BOLT SUMMARY - QTY'S ARE FOR ONE ASSEMBLY ONLY						
Assembly	No	Diam	Length	Workshop/Site	Grade	Remarks
B100	4	3/4"	2"	Site	A325	



1 BEAM (s) MARK: B100

W18X35
 D | 17 3/4" X 5/16"
 W | 6" X 7/16"

MATERIAL:	300W	U.N.O.	SURF. PREP:	
BOLT:	A325	U.N.O.	WELD:	LEG SIZE
HOLE SIZE:	13/16	U.N.O.	ELECTRODE:	

PLEASE VERIFY ALL DIMENSIONS AND BOXED DIMENSIONS

CLIPPED AREAS NOT ANSWER SHALL BE CONSIDERED CORRECT AS WRITTEN OR SHOWN

D	Issue for Construction	12/03/09
REV	DESCRIPTION	DATE
BELAIR FABRICATION LTD Tel: (604) 924-0845 Fax: (604) 924-0846 STEELHEAD INDUSTRIES LTD Tel: (604) 980-3031 Fax: (604) 980-3031		
ARCH: Gordon Mackenzie Architect Inc Tel: (604) 688-3080 Fax: (604) 688-3085		
PROJECT NAME	HOLIDAY INN	ADDRESS 39400 DISCOVERY WAY, SQUAMISH, B.C.
DESCRIPTION	BEAM	
DRAWN BY	LC	JOB No.
DATE DRAWN	12/03/2009	PRO:#518
		DWG No. B100

